

10 9 8 7 6 5 4 3 2 1

F

E

D

C

B

A

F

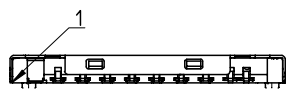
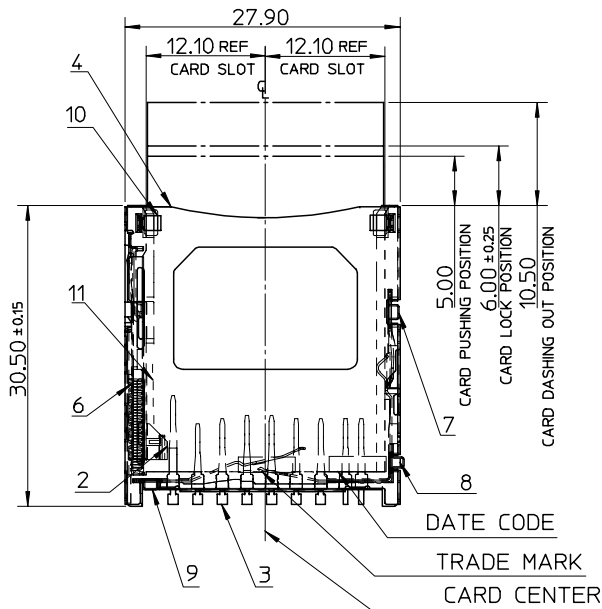
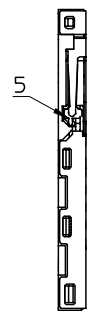
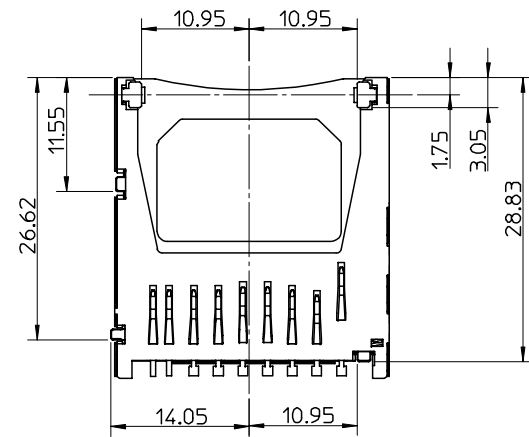
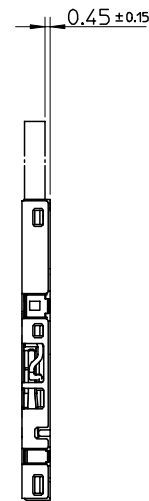
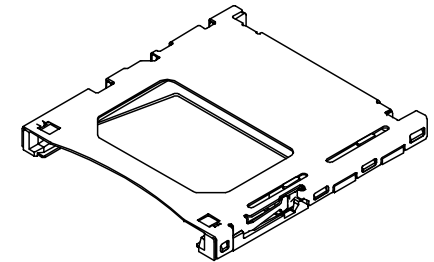
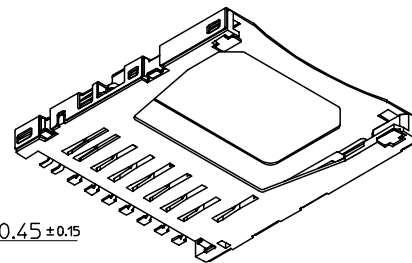
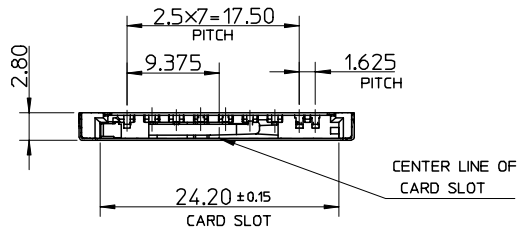
E

D

C

B

A



UPDATE DRAWING	2006/10/11
EC NO: SH2007-0231	2006/10/18
DRWN: ZHEN	2006/10/19
CHKD: JIAN	
APPR: JICHEN	

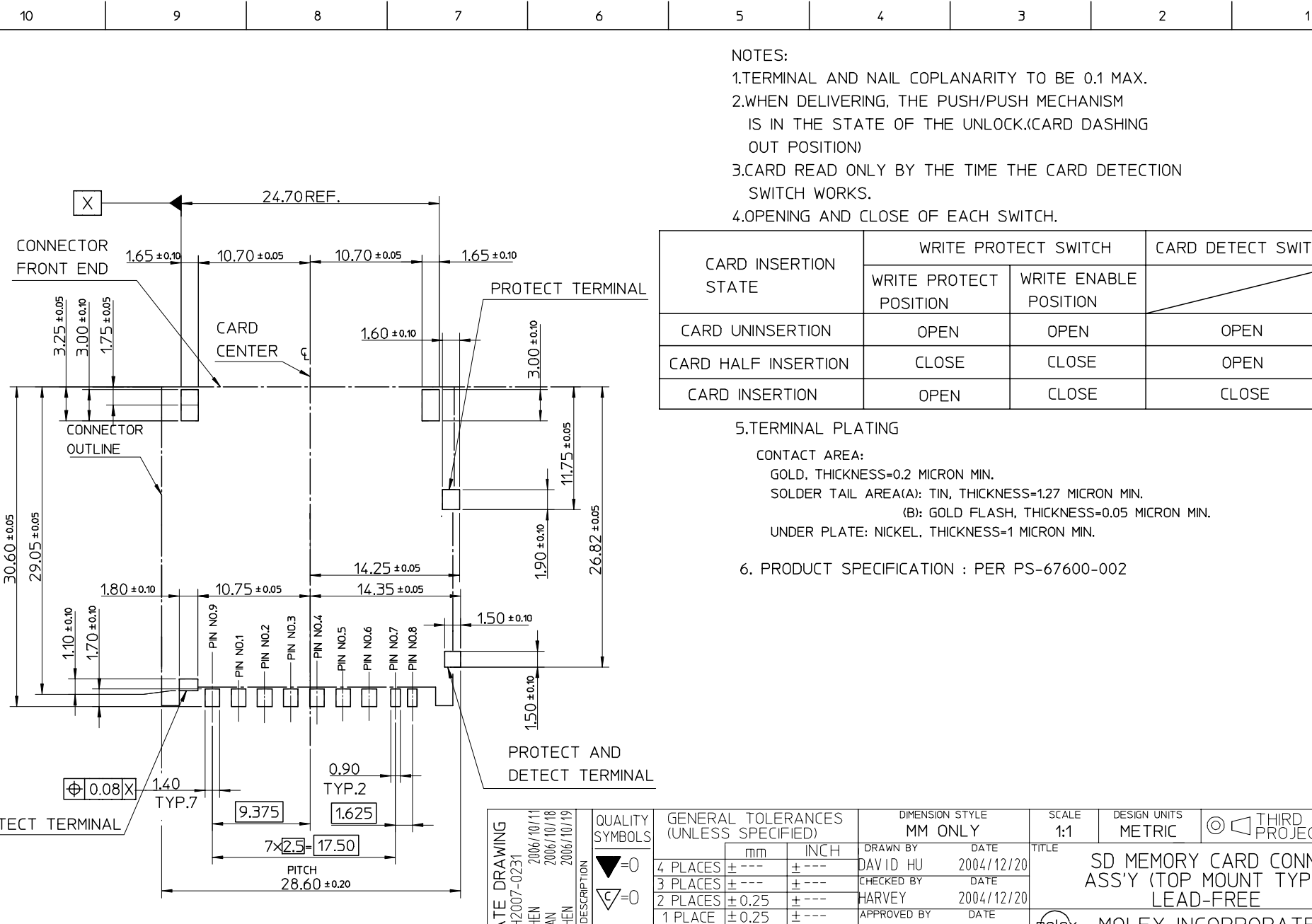
REV	DESCRIPTION
▽=0	QUALITY SYMBOLS
▽=0	

GENERAL TOLERANCES (UNLESS SPECIFIED)	
mm	INCH
4 PLACES ± ---	± ---
3 PLACES ± ---	± ---
2 PLACES ± 0.25	± ---
1 PLACE ± 0.25	± ---
ANGULAR ± 3 °	
DRAFT WHERE APPLICABLE MUST REMAIN WITHIN DIMENSIONS	

DIMENSION STYLE MM ONLY	
DRAWN BY	DATE
DAVID HU	2004/12/20
CHECKED BY	DATE
HARVEY	2004/12/20
APPROVED BY	DATE
VINCENT	2004/12/20
MATERIAL NO.	
676008002	

SCALE 1:1	DESIGN UNITS METRIC	THIRD ANGLE PROJECTION
TITLE SD MEMORY CARD CONN. ASS'Y (TOP MOUNT TYPE) LEAD-FREE		
MOLEX INCORPORATED		
DOCUMENT NO. SD-67600-003	SHEET NO. 1 OF 3	
THIS DRAWING CONTAINS INFORMATION THAT IS PROPRIETARY TO MOLEX INCORPORATED AND SHOULD NOT BE USED WITHOUT WRITTEN PERMISSION		

9 8 7 6 5 4 3 2 1



- NOTES:
1. TERMINAL AND NAIL COPLANARITY TO BE 0.1 MAX.
 2. WHEN DELIVERING, THE PUSH/PUSH MECHANISM IS IN THE STATE OF THE UNLOCK. (CARD DASHING OUT POSITION)
 3. CARD READ ONLY BY THE TIME THE CARD DETECTION SWITCH WORKS.
 4. OPENING AND CLOSE OF EACH SWITCH.

CARD INSERTION STATE	WRITE PROTECT SWITCH		CARD DETECT SWITCH
	WRITE PROTECT POSITION	WRITE ENABLE POSITION	
CARD UNINSERTION	OPEN	OPEN	OPEN
CARD HALF INSERTION	CLOSE	CLOSE	OPEN
CARD INSERTION	OPEN	CLOSE	CLOSE

5. TERMINAL PLATING

CONTACT AREA:

- GOLD, THICKNESS=0.2 MICRON MIN.
- SOLDER TAIL AREA(A): TIN, THICKNESS=1.27 MICRON MIN.
- (B): GOLD FLASH, THICKNESS=0.05 MICRON MIN.
- UNDER PLATE: NICKEL, THICKNESS=1 MICRON MIN.

6. PRODUCT SPECIFICATION : PER PS-67600-002

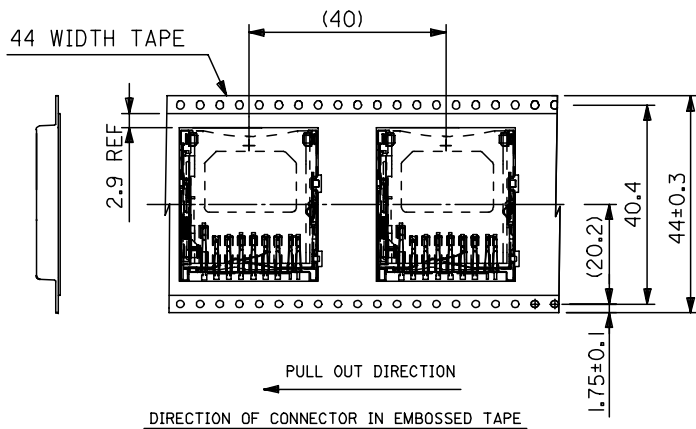
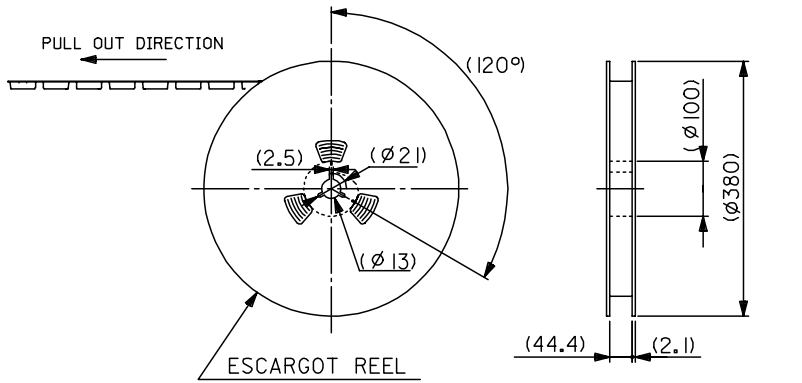
RECOMMENDED PCB PATTERN LAYOUT

UPDATE DRAWING	QUALITY SYMBOLS
EC NO: SH2007-0231	▽=0
DRWN: ZHEN	▽=0
CHKD: JIAN	
APPR: JNCHEN	
REV	DESCRIPTION

GENERAL TOLERANCES (UNLESS SPECIFIED)	
mm	INCH
4 PLACES ± ---	± ---
3 PLACES ± ---	± ---
2 PLACES ± 0.25	± ---
1 PLACE ± 0.25	± ---
ANGULAR ± 3 °	
DRAFT WHERE APPLICABLE MUST REMAIN WITHIN DIMENSIONS	

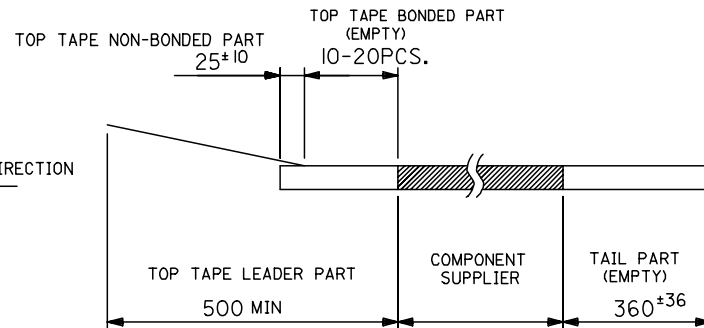
DIMENSION STYLE	
MM ONLY	
DRAWN BY	DATE
DAVID HU	2004/12/20
CHECKED BY	DATE
HARVEY	2004/12/20
APPROVED BY	DATE
VINCENT	2004/12/20
MATERIAL NO.	676008002

SCALE	1:1	DESIGN UNITS	METRIC	THIRD ANGLE PROJECTION
TITLE				
SD MEMORY CARD CONN. ASS'Y (TOP MOUNT TYPE) LEAD-FREE				
MOLEX INCORPORATED				
DOCUMENT NO.	SD-67600-003	SHEET NO.	2 OF 3	
THIS DRAWING CONTAINS INFORMATION THAT IS PROPRIETARY TO MOLEX INCORPORATED AND SHOULD NOT BE USED WITHOUT WRITTEN PERMISSION				

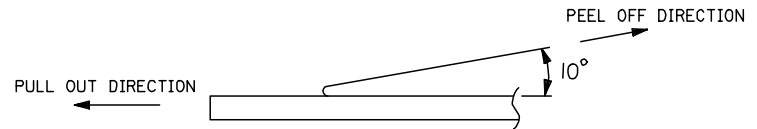


NOTES

1. NUMBER OF CONNECTORS: 400 PCS/REEL
- 2.



3. PEEL-OFF FORCE OF TOP TAPE: 0.1~1.3 N (10.2~130gf)
(PEELING DIRECTION AS SHOWN IN FOLLOWING FIG.)
<PEEL-OFF SPEED:300mm/min (REF.)>



UPDATE DRAWING
EC NO: SH2007-0231
DRWN: ZHEN
CHKD: JIAN
APPR: JICHEN
2006/10/19

QUALITY SYMBOLS	DESCRIPTION
▽=0	
▽C=0	

GENERAL TOLERANCES (UNLESS SPECIFIED)	
	MM ONLY
4 PLACES	± ---
3 PLACES	± ---
2 PLACES	± 0.25
1 PLACE	± 0.25
ANGULAR ± 3 °	
DRAFT WHERE APPLICABLE MUST REMAIN WITHIN DIMENSIONS	

DIMENSION STYLE	
MM ONLY	
DRAWN BY	DATE
DAVID HU	2004/12/20
CHECKED BY	DATE
HARVEY	2004/12/20
APPROVED BY	DATE
VINCENT	2004/12/20
MATERIAL NO.	
676008002	

SCALE	DESIGN UNITS	THIRD ANGLE PROJECTION	
1:1	METRIC		
TITLE			
SD MEMORY CARD CONN. ASS'Y (TOP MOUNT TYPE) LEAD-FREE			
MOLEX INCORPORATED		SHEET NO.	
DOCUMENT NO.		3 OF 3	
SD-67600-003			
THIS DRAWING CONTAINS INFORMATION THAT IS PROPRIETARY TO MOLEX INCORPORATED AND SHOULD NOT BE USED WITHOUT WRITTEN PERMISSION			

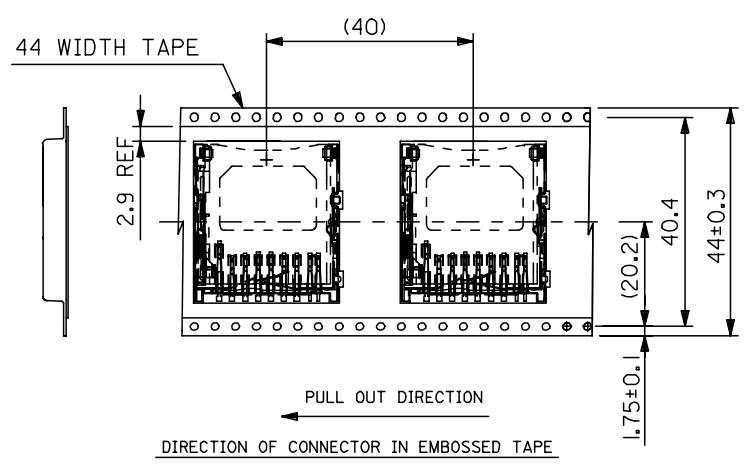
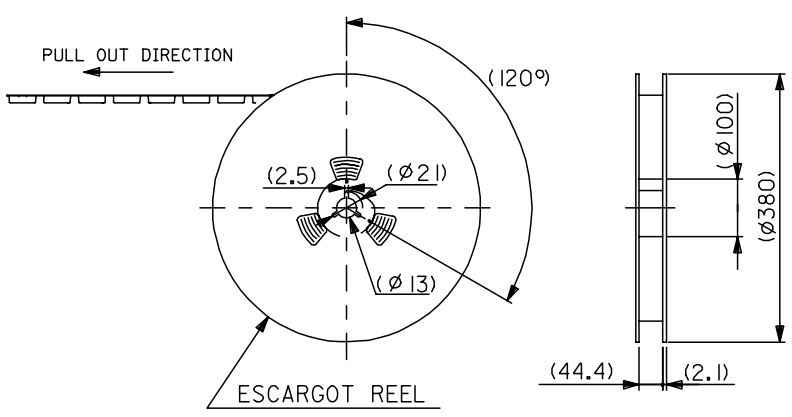
ENG. NO

EDP NO.

SIMILAR ITEM

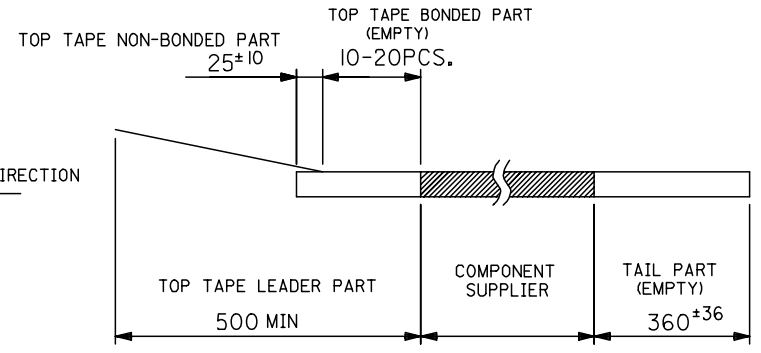
CADFILE NO.

DO NOT SCALE DRAWING

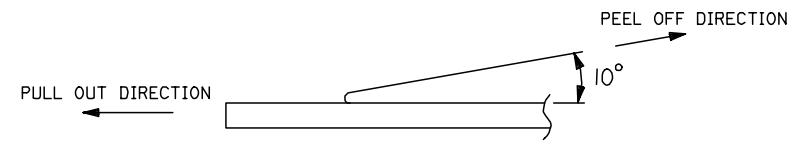


NOTES

1. NUMBER OF CONNECTORS: 400 PCS/REEL
- 2.



3. PEEL-OFF FORCE OF TOP TAPE: 0.1~1.3 N (10.2~130gf)
(PEELING DIRECTION AS SHOWN IN FOLLOWING FIG.)
<PEEL-OFF SPEED:300mm/min (REF.)>



NEW RELEASED	EC NO. DAVID HU 2004/12/20 CHK: HARVEY 2004/12/20 APPR:	DESCRIPTION MAJOR = 0 CRITICAL C = 0	GENERAL TOLERANCES: (UNLESS SPECIFIED)		SCALE	DESIGN UNITS <input checked="" type="checkbox"/> mm <input type="checkbox"/> INCH	THIRD ANGLE PROJECTION	DIMENSIONS: <input type="checkbox"/> mm <input type="checkbox"/> INCH <input checked="" type="checkbox"/> mm ONLY		SHT	REV
			4 PLACES ± .	3 PLACES ± .	2 PLACES ±0.25	1 PLACE ±0.25	mm	INCH	mm	mm ONLY	
A	REV		ANGULAR: 3		DRAWN BY & DATE DAVID HU 2004/12/20		TITLE: TAPE & REEL FOR SD CONNECTOR LEAD-FREE				
DRAFT WHERE APPLICABLE MUST REMAIN WITHIN DIMENSIONS					CHECKED BY & DATE HARVEY 2004/12/20		MATERIAL NO. 67600-8002				
					APPROVED BY & DATE VINCENT 2004/12/20		DRAWING NO. SD-67600-003		SHEET NO. 3 OF 3		
					CAD FILENAME S6760003.S01		MATERIAL NO. 67600-8002				
					THIS DRAWING CONTAINS INFORMATION THAT IS PROPRIETARY TO MOLEX INCORPORATED AND SHOULD NOT BE USED WITHOUT WRITTEN PERMISSION.						
					MOLEX INCORPORATED						
					SIZE A3						